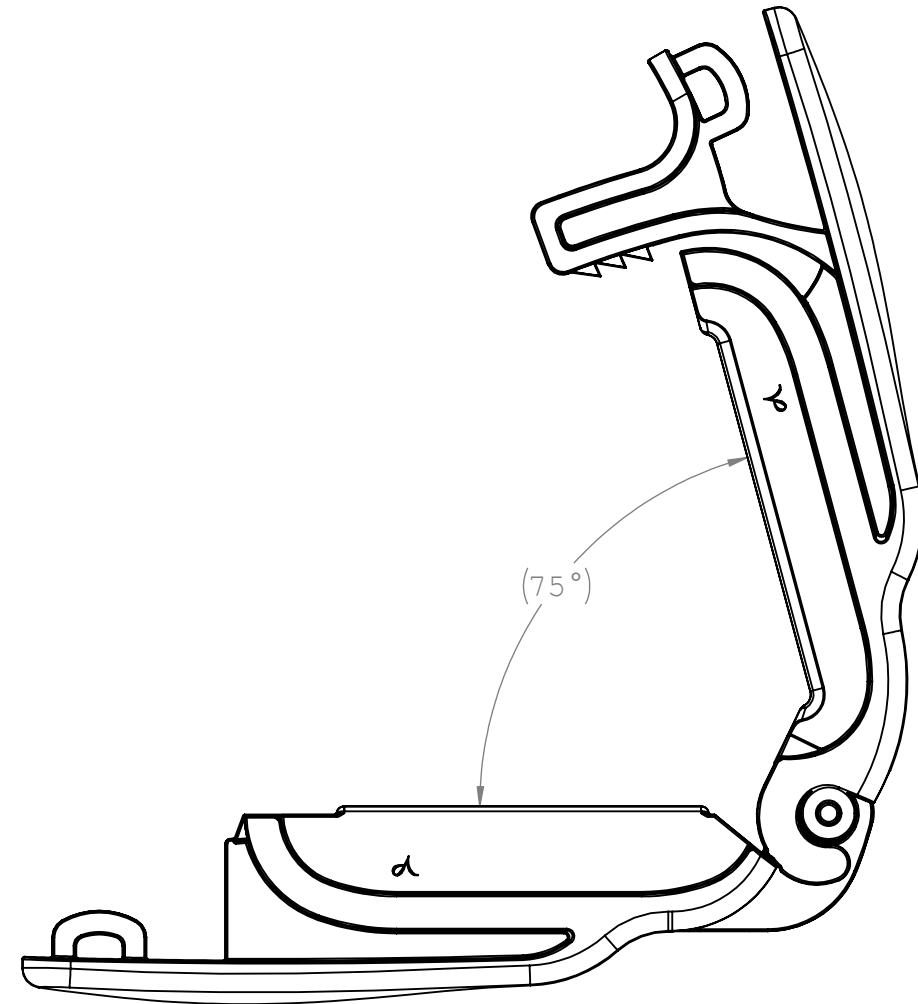
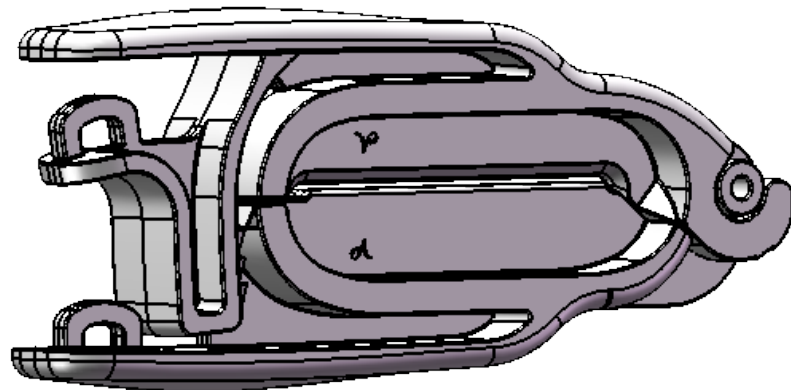
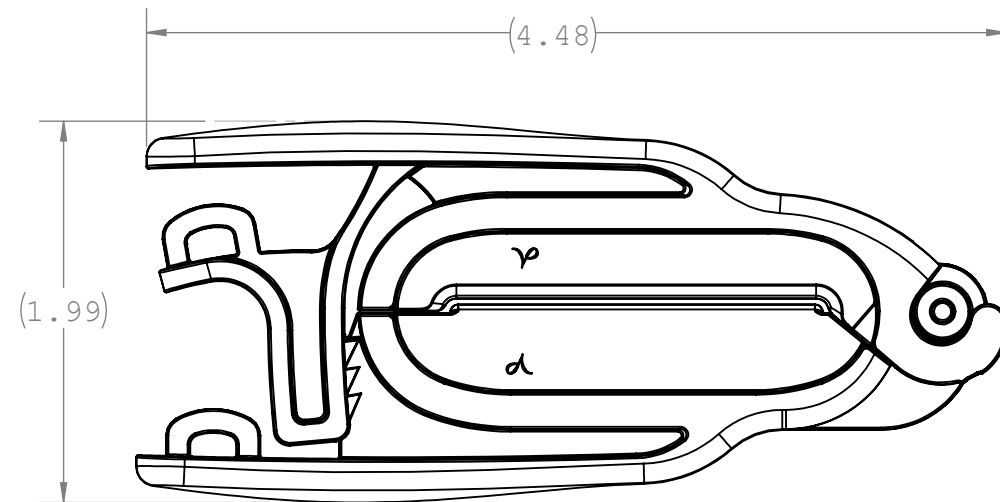
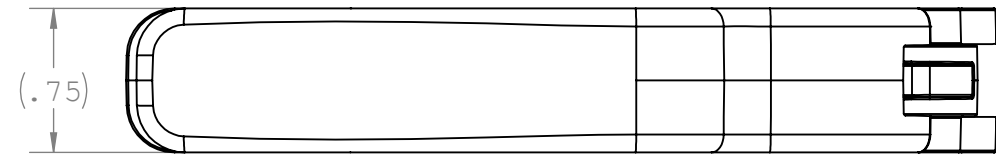


NOTES: FOR MORE DETAILS SEE YOUR V.P. SERVICE REP.

REVISIONS			
REV.	DESCRIPTION	DATE	APPROVED
A	Initial Release	11-28-16	FJL
B	ECO 390	02-15-19	FJL



UNLESS OTHERWISE SPECIFIED DIMENSIONS ARE IN INCHES TOLERANCES ARE:		VALUE PLASTICS, INC			
FRACTIONS DECIMAL ANGULAR ± .XX ±.01 ± 1° .XXX ±.005 .XXXX ±.001		PART NUMBER: CPT90			
DO NOT SCALE DRAWING		DESCRIPTION: PharmaLok Tube Clamp up to 3/4" Thin Wall Tubing			
DRAWN BY: T. Whitaker	DATE: 2/15/2019	SIZE: B	SCALE: NTS	VER: 	DWG. NO. 1041718
MANAGER: F. Lombardi		© 2014 VALUE PLASTICS, INC			REV B
				SHEET: 1 OF 1	

FOR REFERENCE ONLY